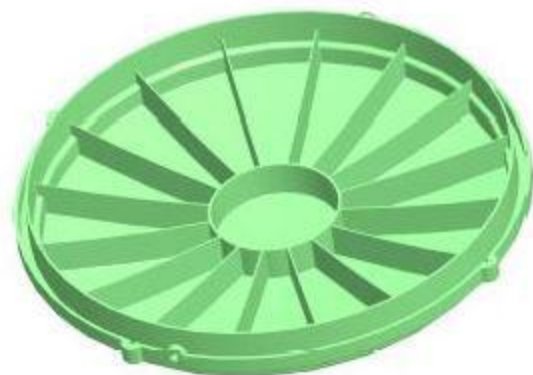
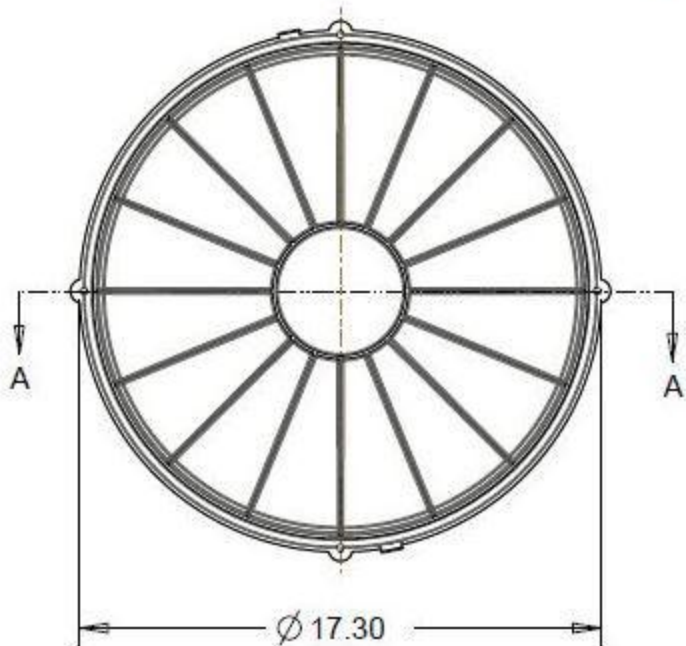


SECTION A-A

PERMANENT FOAMED-IN
POLYURETHANE GASKET



Material: Copolymer Polypropylene
Color: Green