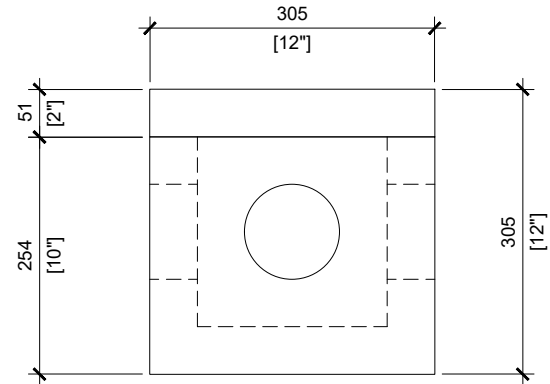
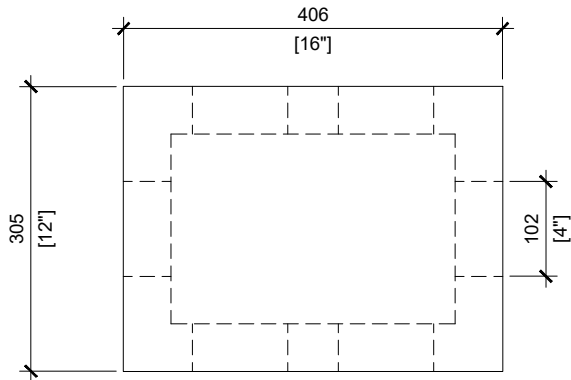


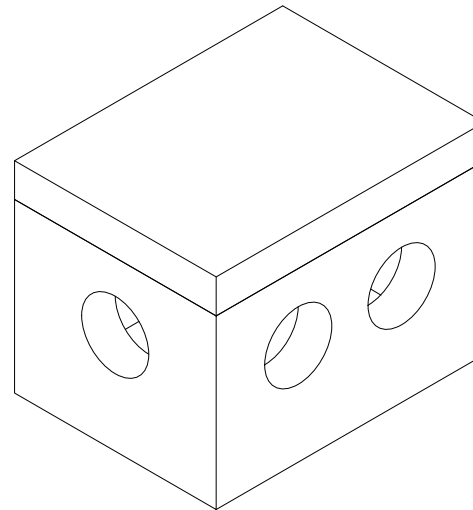
FRONT VIEW
SCALE 1:8



SIDE VIEW
SCALE 1:8



TOP VIEW
SCALE 1:8



1 INLET - 5 OUTLETS

GENERAL NOTES:

1. UNITS ARE SEALED WITH BUTYL TAPE AT THE JOINTS
2. DELIVERY IS MADE BY CRANE-EQUIPPED TRUCKS
3. EXCAVATION MUST BE READY, SAFE AND ACCESSIBLE FOR UNLOADING FROM THE REAR OF THE TRUCK.
4. MIN OVERHEAD CLEARANCE OF 18FT IS REQUIRED
5. ALL UNITS MUST BE HANDLED WITH PROPER LIFTING EQUIPMENT (I.E. SPREADER BAR)
6. MAXIMUM BURIAL DEPTH = 1 METRE IN FIRM SOIL AWAY FROM ANY VEHICULAR TRAFFIC



MANUFACTURED:
OTTAWA, ON
613-822-1488
www.powerprecast.com

CONCRETE TYPE: SCC
CONCRETE: 45MPa
AIR CONTENT: 6.5% ± 1.5%
REINFORCEMENT : STEEL TO CSA CAN
A23.4-05 / A23.3. G30.18 Fy=400MPa

WEIGHT:
Base - 123lbs / 56kg
CSA APPROVED

SHEET:
1/1

DRAWN BY:
E.ZHOU

DWG NO.
T - 3.30

DATE:
JAN/2019

12"x16"x12" OS Distribution Box

PPS REFERENCE: 409150