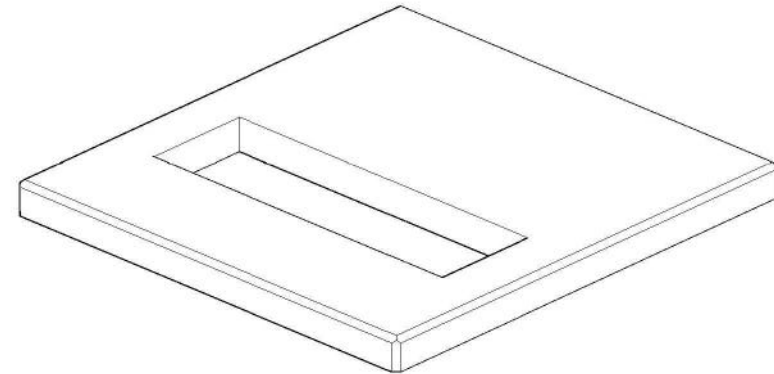
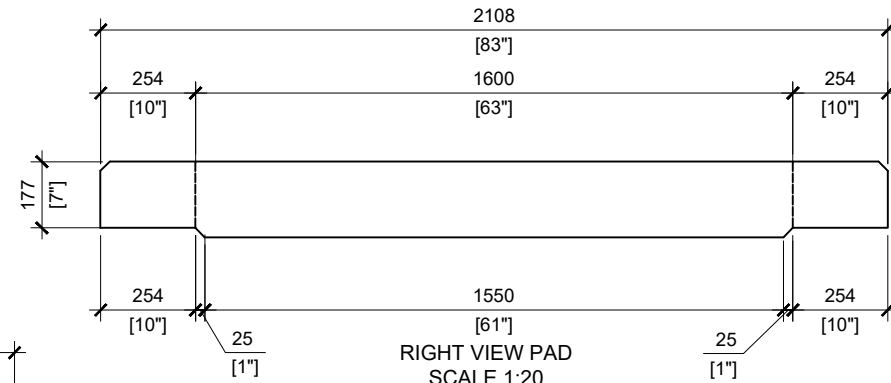


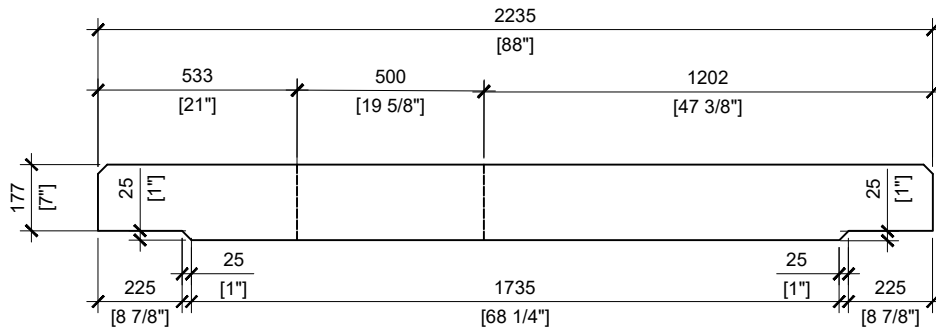
PLAN VIEW
SCALE 1:30



ISOMETRIC VIEW
SCALE 1:30



RIGHT VIEW PAD
SCALE 1:20



FRONT VIEW
SCALE 1:20

GENERAL NOTES:

1. DELIVERY IS MADE BY CRANE-EQUIPPED TRUCKS
2. EXCAVATION MUST BE READY, SAFE AND ACCESSIBLE FOR UNLOADING FROM THE REAR OF THE TRUCK.
3. MIN OVERHEAD CLEARANCE OF 18FT IS REQUIRED
4. ALL UNITS MUST BE HANDLED WITH PROPER LIFTING EQUIPMENT (I.E. SPREADER BAR)
5. FOR INSTALLATIONS ON STONE BEDDING, THE ALLOWABLE BEARING PRESSURE AT THE UNDERSIDE OF THE VAULT BOX SECTION SHALL BE A MINIMUM OF 150kPa (S.L.S.)
6. AS PER HYDRO OTTAWA UCS0026



MANUFACTURED:
OTTAWA, ON
613-822-1488

www.powerprecast.com

CONCRETE TYPE: SCC
CONCRETE: 45MPa
AIR CONTENT: 6.5% ± 1.5%
REINFORCEMENT : STEEL TO CSA CAN
A23.4-05 / A23.3. G30.18 Fy=400MPa

WEIGHT:
3,190lbs / 1,450kg

SHEET:
1/1

DWG NO.
E - 2.12

DRAWN BY:
E.ZHOU

DATE:
DEC/2019

Hydro Manhole Switchgear Pad - UCS0026

REFERENCE HYDRO OTTAWA UCS0026
PPS REFERENCE: 412135