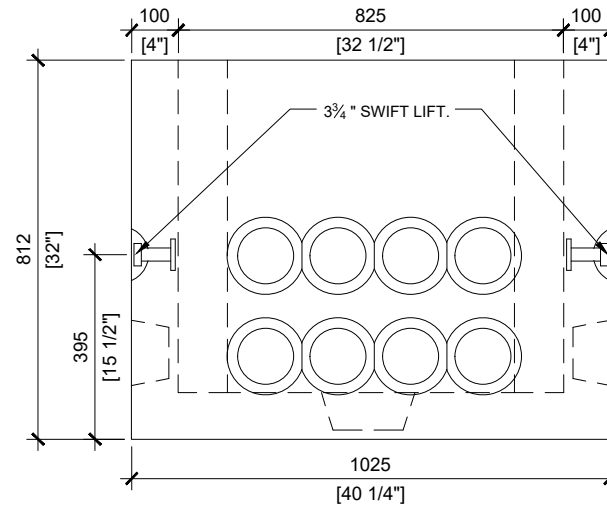
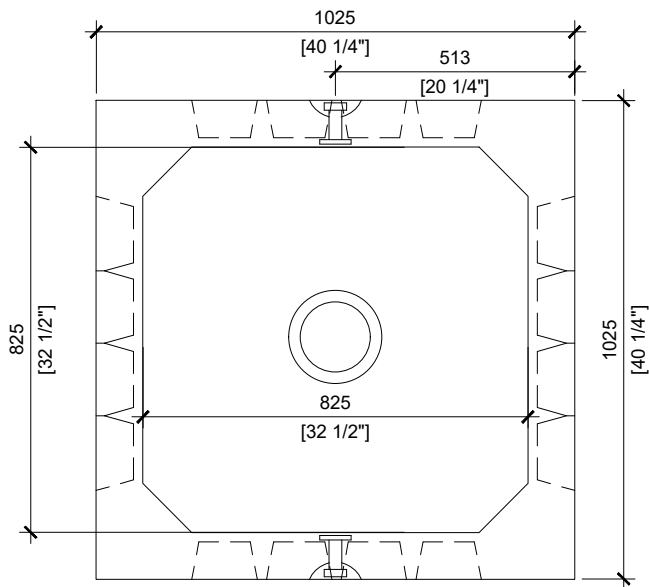


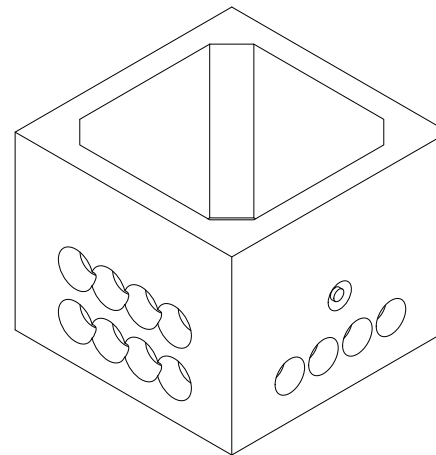
FRONT VIEW
SCALE 1:16



SIDE VIEW
SCALE 1:16



PLAN VIEW
SCALE 1:16



GENERAL NOTES:

1. CABLE ENTRY OPENINGS - 4-3/4" PVC SEALS .
2. DELIVERY IS MADE BY CRANE-EQUIPPED TRUCKS
3. EXCAVATION MUST BE READY, SAFE AND ACCESSIBLE FOR UNLOADING FROM THE REAR OF THE TRUCK.
4. MIN OVERHEAD CLEARANCE OF 18FT IS REQUIRED
5. ALL UNITS MUST BE HANDLED WITH PROPER LIFTING EQUIPMENT (I.E. SPREADER BAR)
6. FOR INSTALLATIONS ON STONE BEDDING, THE ALLOWABLE BEARING PRESSURE AT THE UNDERSIDE OF THE VAULT BOX SECTION SHALL BE A MINIMUM OF 150kPa (S.L.S.)
7. THIS BEARING PRESSURE IS ASSUMED AND SHALL BE CONFIRMED BY A QUALIFIED GEOTECHNICAL ENGINEER PRIOR TO INSTALLATION OF THE VAULT
8. AS PER HYDRO OTTAWA UCS0016



MANUFACTURED:
OTTAWA, ON
613-822-1488

www.powerprecast.com

CONCRETE TYPE: SCC
CONCRETE: 45MPa
AIR CONTENT: 6.5% ± 1.5%
REINFORCEMENT : STEEL TO CSA CAN
A23.4-05 / A23.3. G30.18 Fy=400MPa

WEIGHT:
1,907lbs / 867kg

SHEET:
1/1

DWG NO.
E - 2.06

DRAWN BY:
E.ZHOU

DATE:
DEC/2019

Rodgers Handhole
Hydro Ottawa UCS0016

REFERENCE HYDRO OTTAWA UCS0016
PPS REFERENCE: 409214