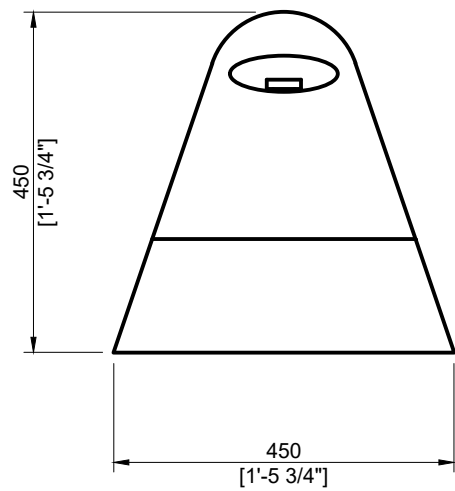
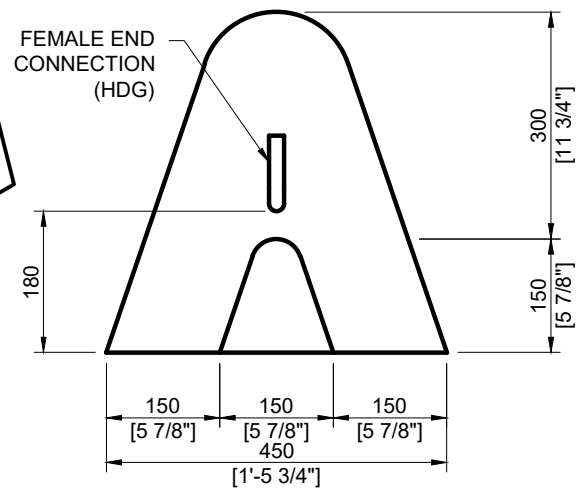
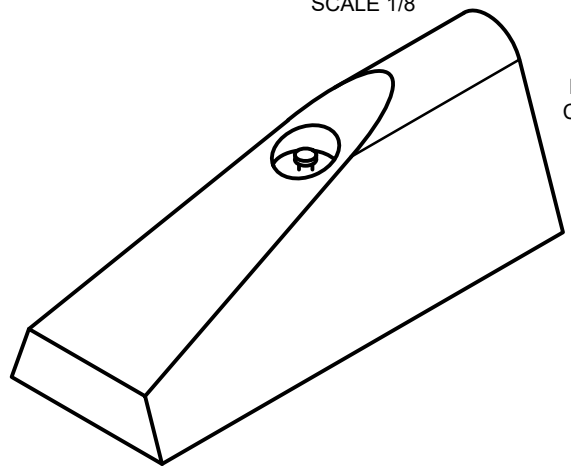


SIDE VIEW  
SCALE 1/8



LEFT VIEW  
SCALE 1/10



LEFT VIEW  
SCALE 1/10



**MANUFACTURED:**  
OTTAWA, ON  
613-822-1488  
[www.powerprecast.com](http://www.powerprecast.com)

**CONCRETE TYPE:** SCC  
**CONCRETE:** 45MPa / 6,526PSI  
**AIR CONTENT:** 6.5% ± 1.5%  
**REINFORCEMENT:** CSA G30.18 Fy=400MPa

**WEIGHT:** 702lbs / 319kg  
**MANUFACTURED TO:** CSA A23.1/A23.2

**SHEET:**  
1/1  
**DWG NO.**  
B - 1.21

**DRAWN BY:**  
A.A-Hamid  
**DATE:**  
JAN/2023

**LOW WALL BARRIER  
MALE END**  
PPS REFERENCE: 416347