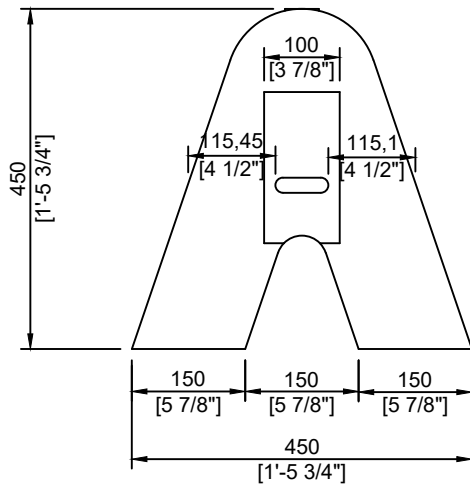
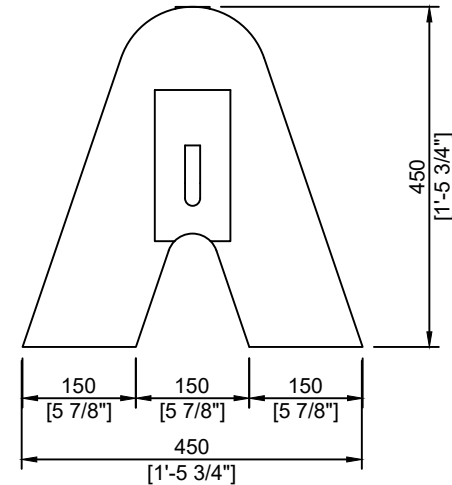
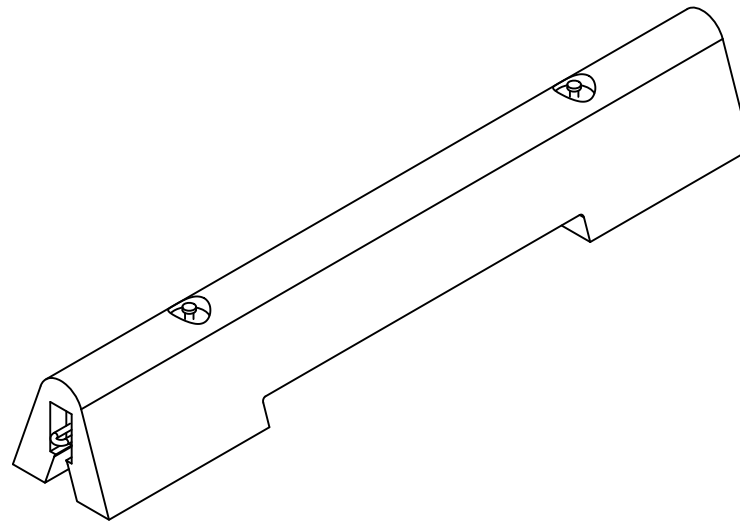


SIDE VIEW  
SCALE 1:16



LEFT VIEW  
SCALE 1:10



RIGHT VIEW  
SCALE 1:10



**MANUFACTURED:**  
OTTAWA, ON  
613-822-1488

[www.powerprecast.com](http://www.powerprecast.com)

**CONCRETE TYPE:** SCC  
**CONCRETE:** 45MPa / 6,526PSI  
**AIR CONTENT:** 6.5% ± 1.5%  
**REINFORCEMENT:** STEEL TO CSA CAN  
A23.4-05 / A23.3. G30.18 Fy=400MPa

**WEIGHT:** 1,670lbs / 759kg  
**STRIPPING STRENGTH:** 25 MPA

**MANUFACTURED TO CSA A23.4**

**SHEET:**  
1/1

**DWG NO.**  
B - 1.19

**DRAWN BY:**  
A.A-Hamid

**DATE:**  
JAN/2022

## PEDESTRIAN BARRIER

PPS REFERENCE: 416346