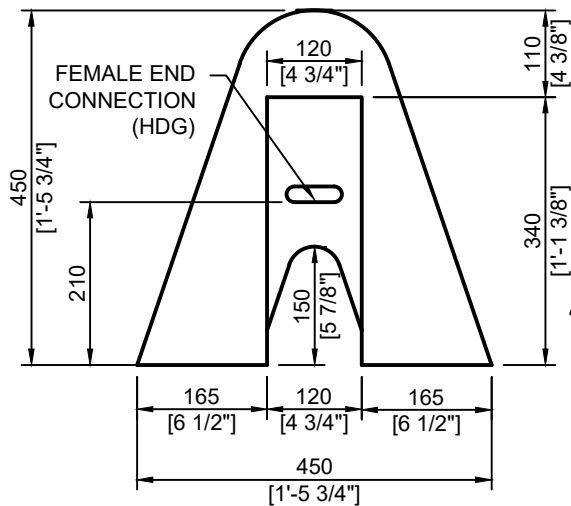
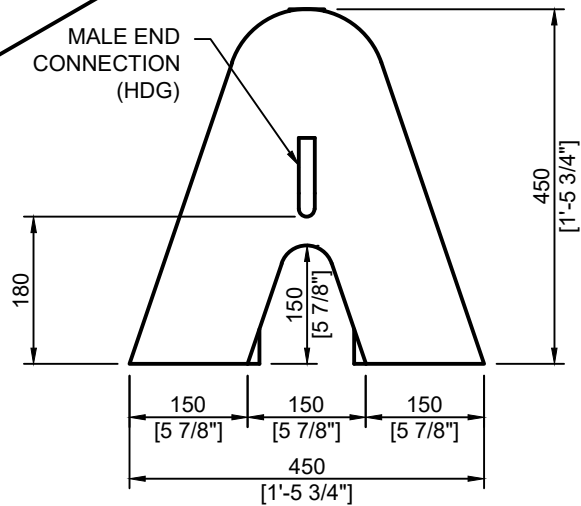
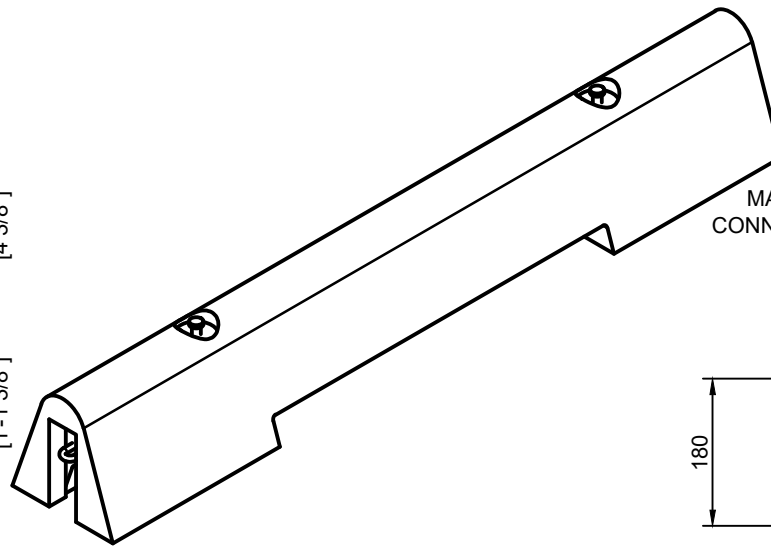


SIDE VIEW
SCALE 1/16



FEMALE END VIEW
SCALE 1/10



MALE END VIEW
SCALE 1/10



MANUFACTURED:
OTTAWA, ON
613-822-1488

www.powerprecast.com

CONCRETE TYPE: SCC
 CONCRETE: 45MPa / 6,526PSI
 AIR CONTENT: 6.5% ± 1.5%
 REINFORCEMENT: CSA G30.18 Fy=400MPa

WEIGHT: 1,670lbs / 759kg
 MANUFACTURED TO: CSA A23.1/A23.2

SHEET:
1/1

DWG NO.
B - 1.19

DRAWN BY:
A.A-Hamid

DATE:
JAN/2023

LOW WALL BARRIER

PPS REFERENCE: 416346