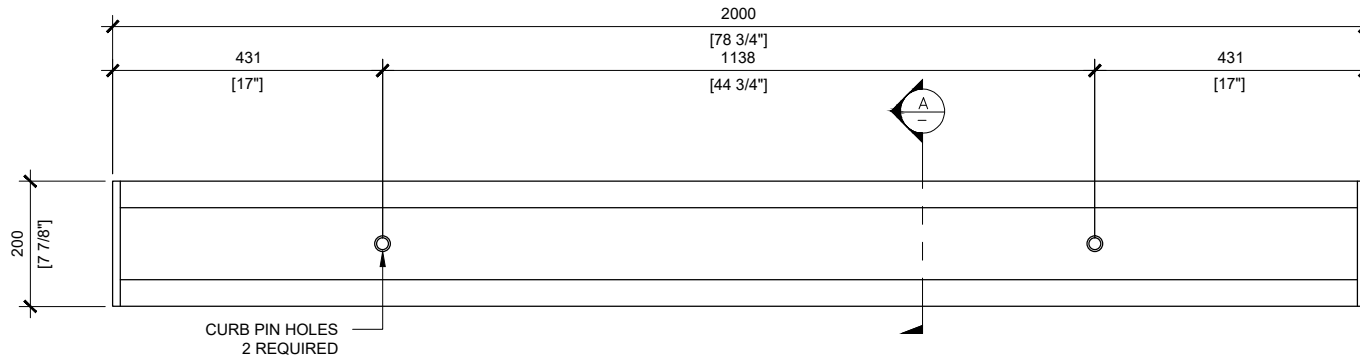
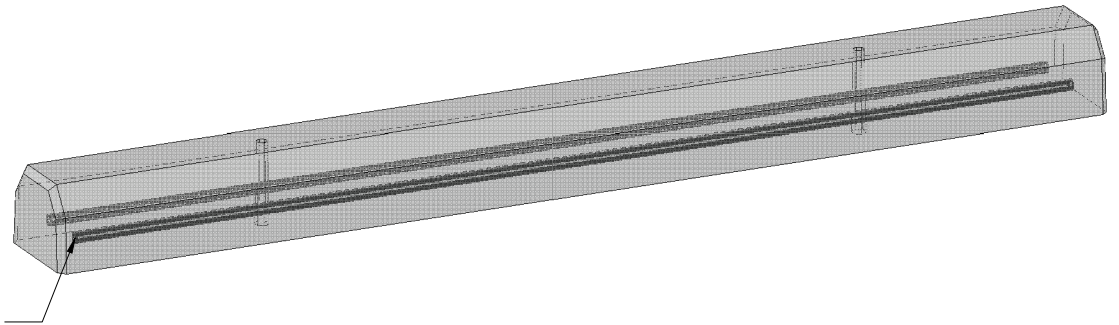


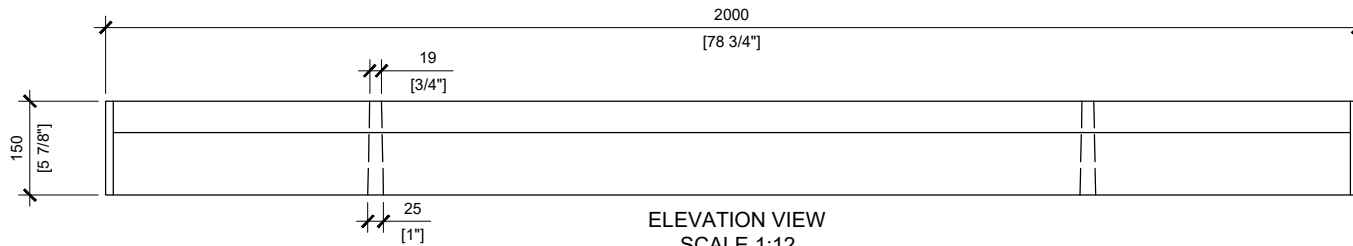
SECTION A  
SCALE 1:5

2-15M REBAR @ 1900



CURB PIN HOLES  
2 REQUIRED

PLAN VIEW  
SCALE 1:12



ELEVATION VIEW  
SCALE 1:12

**GENERAL NOTES:**

1. DELIVERY IS MADE BY CRANE-EQUIPPED TRUCKS
2. EXCAVATION MUST BE READY, SAFE AND ACCESSIBLE FOR UNLOADING FROM THE REAR OF THE TRUCK.
3. MIN OVERHEAD CLEARANCE OF 18FT IS REQUIRED
4. ALL UNITS MUST BE HANDLED WITH PROPER LIFTING EQUIPMENT (I.E. SPREADER BAR)



**MANUFACTURED:**  
OTTAWA, ON  
613-822-1488

**CONCRETE TYPE:** SCC  
**CONCRETE:** 45MPa / 6,526PSI  
**AIR CONTENT:** 6.5% ± 1.5%  
**REINFORCEMENT :** STEEL TO CSA CAN  
A23.4-05 / A23.3. G30.18 Fy=400MPa

**WEIGHT:** 299lbs / 136kg  
**STRIPPING STRENGTH:** 25 MPA  
**MANUFACTURED TO CSA A23.4**

<b>SHEET:</b> 1/1	<b>DRAWN BY:</b> E.ZHOU
<b>DWG NO.</b> B - 1.18	<b>DATE:</b> FEB/2022

**BIKE LANE CURB**

PPS REFERENCE: 413656