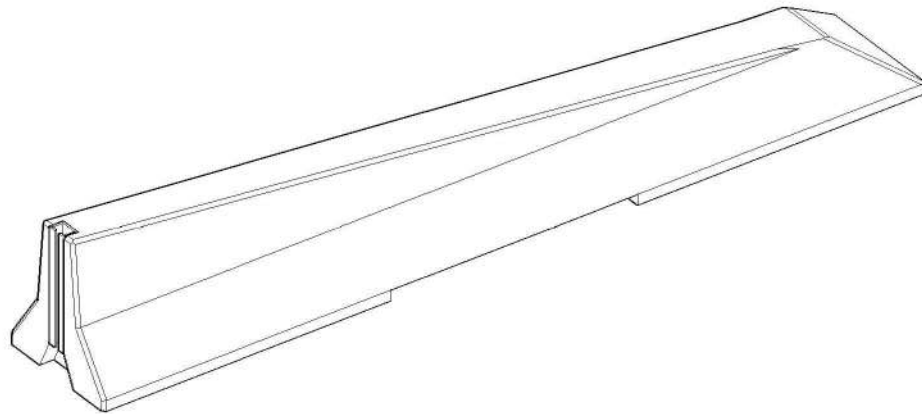


TAPERED END VIEW
SCALE: 1:25

SIDE VIEW
SCALE: 1:25

FEMALE END VIEW
SCALE: 1:25



GENERAL NOTES:

1. ALL UNITS MUST BE HANDLE WITH PROPER LIFTING EQUIPMENT.
2. REINFORCING AND STIRRUPS SHALL BE SIZE 15M, GRADE 400W, DEFORMED STEEL BARS. CONCRETE COVER SHALL BE 50MM MINIMUM.
3. ALL CONCRETE EDGES SHALL HAVE 15X45° CHAMFER
4. WELDS SHALL BE ACCORDING TO CSA W59 AND CSA W186.
5. ALL DIMENSIONS ARE IN MILLIMETRES UNLESS OTHERWISE SHOWN.
6. LONG STEEL I-BEAM S100x14 x 800mm, SUPPLIED BY OTHERS, SHALL BE USED WHEN FEMALE TO FEMALE CONNECTION IS REQUIRED
7. AS PER OPSD 911.233



MANUFACTURED:
OTTAWA, ON
613-822-1488
www.powerprecast.com

CONCRETE TYPE: SCC
CONCRETE: 45MPa / 6,526PSI
AIR CONTENT: 6.5% ± 1.5%
REINFORCEMENT : STEEL TO CSA CAN
A23.4-05 / A23.3. G30.18 Fy=400MPa

WEIGHT: 3,795lbs / 1,725kg

SHEET:
1/1
DWG NO.
B - 1.05

DRAWN BY:
A.A-Hamid
DATE:
DEC/2019

4M I-LOCK TAPERED BARRIER

PPS REFERENCE: 409203